

POWER RATING

Engine Speed rev/min	Type of Operation	Engine Power	
		kWm	Ps
1800	Continuous Power	366	497
	Prime Power	402	547
	Standby Power	458	623
1500	Continuous Power	322	438
	Prime Power	363	494
	Standby Power	414	563



Note : -. The engine performance corresponds to ISO 3046, BS 5514 and DIN 6271.

-. Ratings are based on ISO 8528.

Prime power available at variable load. The permissible average power output (during 24h period) shall not exceed 70% of the prime power rating.

Standby power available in the event of a main power network failure. No overload is permitted.

MECHANICAL SYSTEM

○ Engine Model	P158LE
○ Engine Type	V-type 4 cycle, water cooled Turbo charged & intercooled (air to air)
○ Combustion type	Direct injection
○ Cylinder Type	Replaceable wet liner
○ Number of cylinders	8
○ Bore x stroke	128(5.04) x 142(5.59) mm(in.)
○ Displacement	14.618(892.0) lit.(in ³)
○ Compression ratio	15 : 1
○ Firing order	1-5-7-2-6-3-4-8
○ Injection timing	16° BTDC
○ Compression pressure	Above 28 kg/cm ² (398 psi) at 200rpm
○ Dry weight	Approx. 950 kg (2,094 lb)
○ Dimension (LxWxH)	1,484 x 1,389 x 1,161.5 mm (58.4 x 54.7 x 45.7 in.)
○ Rotation	Counter clockwise viewed from Flywheel
○ Fly wheel housing	SAE NO.1
○ Fly wheel	Clutch NO.14

MECHANISM

○ Type	Over head valve
○ Number of valve	Intake 1, exhaust 1 per cylinder
○ Valve lashes at cold	Intake 0.25mm (0.0098 in.) Exhaust 0.35mm (0.0138 in.)

VALVE TIMING

	Opening	Close
○ Intake valve	24 deg. BTDC	36 deg. ABDC
○ Exhaust valve	63 deg. BBDC	27 deg. ATDC

FUEL CONSUMPTION

○ Prime Power (lit/hr)	1,500 rpm	1,800 rpm
25%	23.7	28.0
50%	43.9	50.6
75%	65.1	74.7
100%	89.3	102.5
○ Standby Power (lit/h)	1,500 rpm	1,800 rpm
25%	26.5	30.5
50%	49.6	57.6
75%	74.8	85.9
100%	102.9	118.6

FUEL SYSTEM

○ Injection pump	Bosch in-line "P" type
○ Governor	Electric type
○ Feed pump	Mechanical type
○ Injection nozzle	Multi hole type
○ Opening pressure	285 kg/cm ² (4,054 psi)
○ Fuel filter	Full flow, cartridge type
○ Used fuel	Diesel fuel oil

LUBRICATION SYSTEM

○ Lub. Method	Fully forced pressure feed type
○ Oil pump	Gear type driven by crankshaft
○ Oil filter	Full flow, cartridge type
○ Oil pan capacity	High level 28 liters (7.40 gal.) Low level 26 liters (6.86 gal.)
○ Angularity limit	Front down 35 deg. Front up 35 deg. Side to side 35 deg.
○ Lub. Oil	Refer to Operation Manual

P158LE G-DRIVE

COOLING SYSTEM

- Cooling method Fresh water forced circulation
- Water capacity 20 liters (5.28 gal.)
(engine only)
- Pressure system Max. 0.9 kg/cm² (12.8 psi)
- Water pump Centrifugal type driven by belt
- Water pump Capacity 410 liters (108.2 gal.)/min
at 1,800 rpm (engine)
- Thermostat Wax – pellet type
Opening temp. 71°C
Full open temp. 85°C
- Cooling fan Blower type, plastic
915 mm diameter, 7 blade

ELECTRICAL SYSTEM

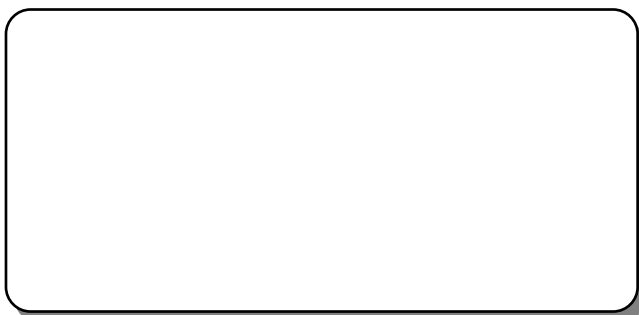
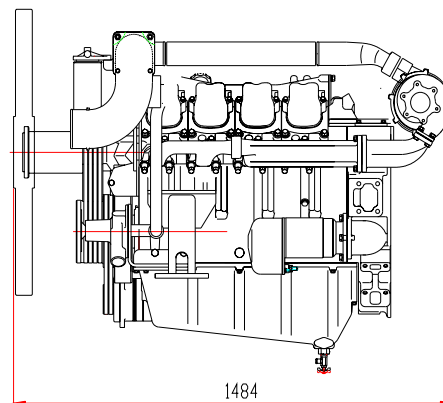
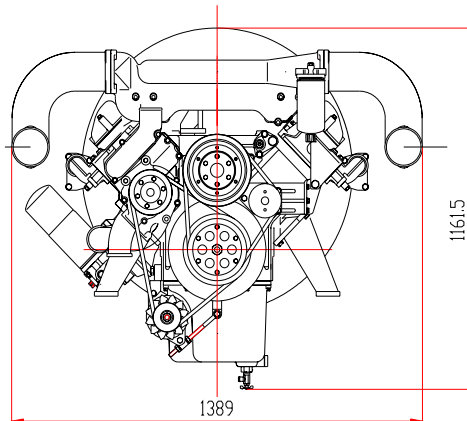
- Charging generator 24V x 45A alternator
- Voltage regulator Built-in type IC regulator
- Starting motor 24V x 7.0kW
- Battery Voltage 24V
- Battery Capacity 200 AH (recommended)
- Starting aid (Option) Block heater

ENGINEERING DATA

- | | |
|---------------------------------|--|
| ○ Water flow | 342 liters/min @1,500 rpm |
| ○ Heat rejection to coolant | 38.9 kcal/sec @1,500 rpm |
| ○ Heat rejection to CAC | 14.1 kcal/sec @1,500 rpm |
| ○ Air flow | 25.3 m ³ /min @1,500 rpm |
| ○ Exhaust gas flow | 78.3 m ³ /min @1,500 rpm |
| ○ Exhaust gas temp. | 580 °C @1,500 rpm |
| <hr/> | |
| ○ Water flow | 410 liters/min @1,800 rpm |
| ○ Heat rejection to coolant | 40.1 kcal/sec @1,800 rpm |
| ○ Heat rejection to CAC | 18.6 kcal/sec @1,800 rpm |
| ○ Air flow | 31.1 m ³ /min @1,800 rpm |
| ○ Exhaust gas flow | 91.3 m ³ /min @1,800 rpm |
| ○ Exhaust gas temp. | 606 °C @1,800 rpm |
| <hr/> | |
| ○ Max. permissible restrictions | |
| - .Intake system | 220 mmH ₂ O initial
635 mmH ₂ O final |
| - .Exhaust system | 600 mmH ₂ O max. |

CONVERSION TABLE

- | | |
|------------------------------------|------------------------------------|
| in. = mm x 0.0394 | lb/ft = N.m x 0.737 |
| PS = kW x 1.3596 | U.S. gal = lit. x 0.264 |
| psi = kg/cm ² x 14.2233 | kW = 0.2388 kcal/s |
| in ³ = lit. x 61.02 | lb/PS.h = g/kW.h x 0.00162 |
| hp = PS x 0.98635 | cfm = m ³ /min x 35.336 |
| lb = kg x 2.20462 | |



Head office
7-11, Hwasu-Dong, Dong-Gu, Incheon, Korea
TEL : 82-32-760-1437, 1964 FAX : 82-32-760-1964

Seoul Office
Doosan Infracore Co. Ltd.,
22nd Floor, Doosan Tower, 18-12, Euljiro 6-ga, Jung-gu,
Seoul, Korea.
TEL : 82-2-3398-8521~8535 FAX : 82-2-3398-8509
Web site : www.doosaninfracore.com

Specifications are subject to change without prior notice