

### TECHNICAL DATA

**Operating range:**

from 1,2 to 30 m<sup>3</sup>/h with head up to 97 metres.

**Pumped liquid:** clean, free of solids and abrasives, non-viscous, non-aggressive, non-crystallised and chemically neutral, with properties similar to water.

**Liquid temperature range:**

K 35/40, K 45/50, K 35/100, K 40/100, K 55/100 :from -10 °C to +50 °C

K 55/50, K 66/100, K 90/100 K 70/300, K 80/300, K 70/400, K 80/400 :from -15 °C to +110 °C

**Maximum ambient temperature:** +40°C

**Maximum operating pressure:**

K 35/40, K 35/100, K 40/100 :6 bar (600 kPa)

K 45/50, K 55/50 :8 bar (800 kPa)

K 55/100, K 66/100 :10 bar (1000 kPa)

K 90/100, K 70/300, K 80/300, K 70/400, K 80/400 :12 bar (1200 kPa)

**Protection class:**

IP 55, IP 44 per K 35/40, K 45/50, K 55/50, K 35/100, K 40/100

**Protection class at the terminal board:** IP 55

**Insulation class:** F

**Standard voltage:**

single-phase 220-240 V / 50 Hz

three-phase 230-400 V / 50 Hz up to 4 kW included - 400 V Δ 50 Hz from 5,5 kW

**Installation:** fixed, horizontal or vertical position, provided that the motor is always above the pump.

**Special executions on requests:** alternative voltages and frequencies.

### APPLICATIONS

Twin-impeller centrifugal pump designed for the realisation of pressurization units in water systems and filling of pressure vessels.

Suitable for sprinkler systems and other general water supply uses.

### CONSTRUCTION FEATURES OF THE PUMP

Pump body and motor support in cast iron.

Technopolymer impeller.

Carbon/ceramic mechanical seal.

### CONSTRUCTION FEATURES OF THE MOTOR

Closed asynchronous type, external ventilation cooling.

Rotor running on permanently lubricated ball bearings, oversized to ensure low noise and durability.

Standard built-in thermo-amperometric protection. Capacitor permanently fitted on single phase versions.

For the protection of the three-phase motor, we recommend the use of remote overload cut-outs, in compliance with current local regulations.

Construction according to CEI 2-3.

IE2 motors as standard, from 0,75 kW to 5,5 kW - IE3 ≥ 7,5 kW

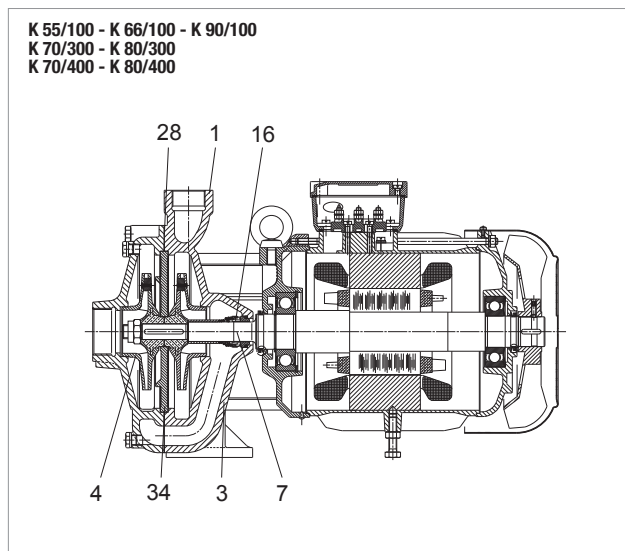
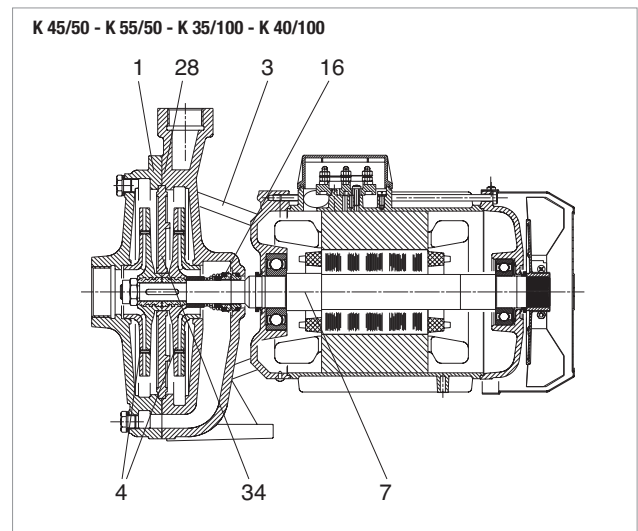
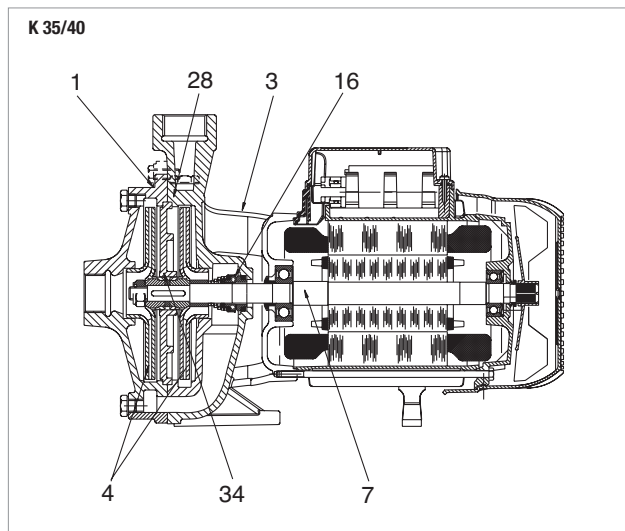
# K TWIN-IMPELLER

## TWIN-IMPELLER ELECTRIC PUMPS

### MATERIALS

| No. | PARTS*            | MATERIALS   | MODELS   |
|-----|-------------------|---|--|
| 1   | PUMP BODY         | CAST IRON 200 UNI ISO 185                             |  |
| 3   | SUPPORT           | CAST IRON 200 UNI ISO 185                             |  |
| 4   | IMPELLER          | TECHNOPOLYMER A                                       | K 35/40; K 45/50; K 35/100; K 40/100; K 55/100   |
|     |                   | TECHNOPOLYMER B                                       | K 55/50; K 66/100; K 90/100; K 70/300; K 80/300; K 70/400; K 80/400                                |
| 7   | SHAFT WITH ROTOR  | AISI 416 STAINLESS STEEL<br>X12CRS13 UNI 6900/71      | K 35/40  |
|     |                   | AISI 303 STAINLESS STEEL<br>X10CRNIS 1089 UNI 6900/71 | K 45/50; K 55/50; K 35/100; K 40/100; K 55/100; K 66/100; K 90/100                                 |
|     |                   | AISI 304 STAINLESS STEEL<br>X5 1810 UNI 6900/71       | K 70/300; K 80/300; K 70/400; K 80/400   |
| 16  | MECHANICAL SEAL   | CARBON / CERAMIC                                      |  |
| 28  | GASKET            | NBR RUBBER  | K 35/40; K 45/50; K 55/50; K 55/100; K 35/100; K 40/100  |
|     |                   | GUARNITAL   | K 66/100; K 90/100; K 70/300; K 80/300; K 70/400; K 80/400   |
| 34  | INTERMEDIATE DISC | CAST IRON 200 UNI ISO 185                             | K 35/40; K 45/50; K 55/50; K 55/100; K 66/100; K 90/100;<br>K 70/300; K 70/400; K 80/300; K 80/400 |

\* In contact with the liquid



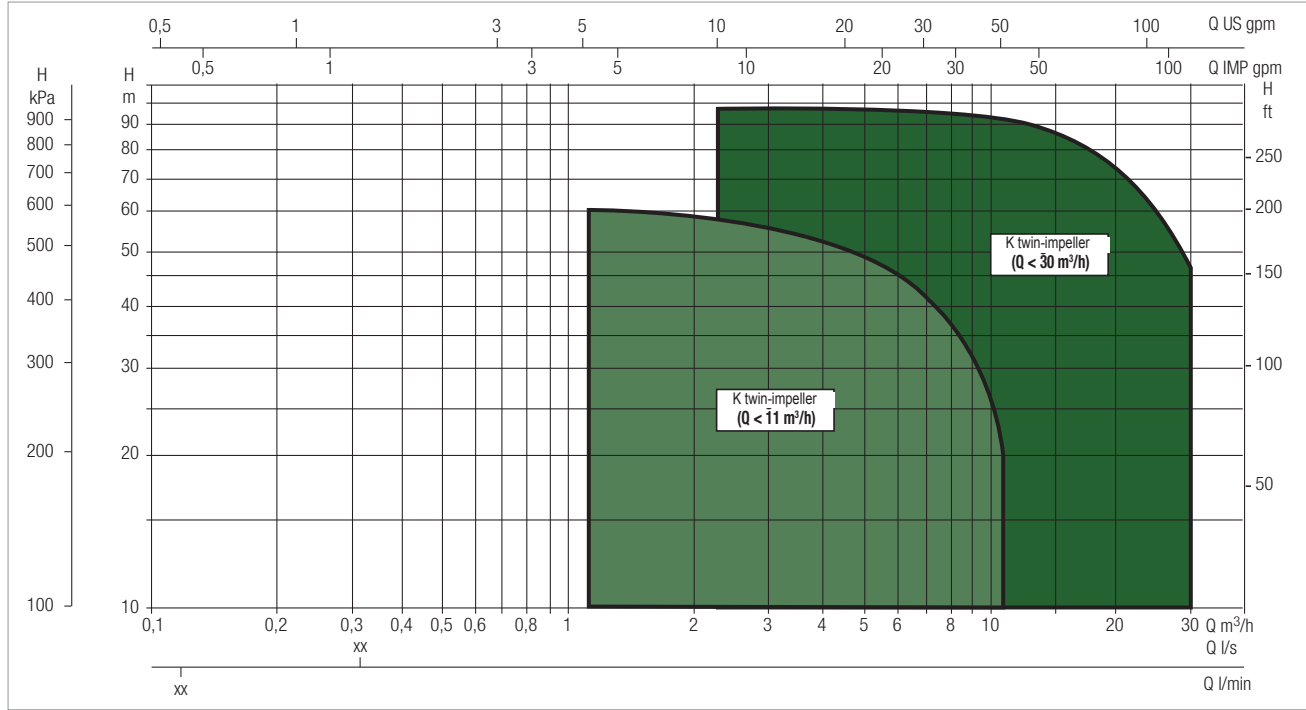
# K TWIN-IMPELLER RANGE

## ELECTRIC PUMPS

### PERFORMANCE RANGE

The performance curves are based on kinematic viscosity values = 1 mm<sup>2</sup>/s and density equal to 1000 kg/m<sup>3</sup>. Curve tolerance according to ISO 9906.

### GRAPHIC SELECTION TABLE

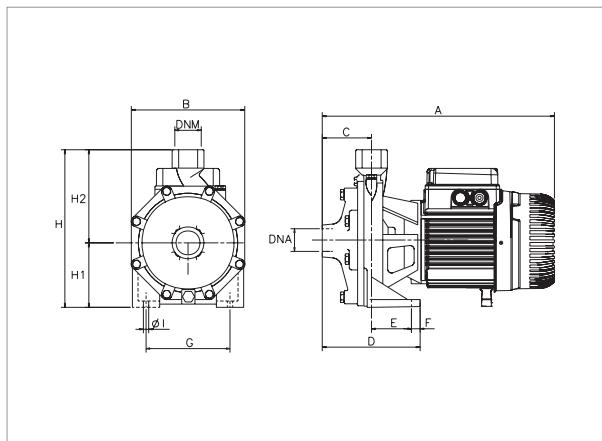


### SELECTION TABLE

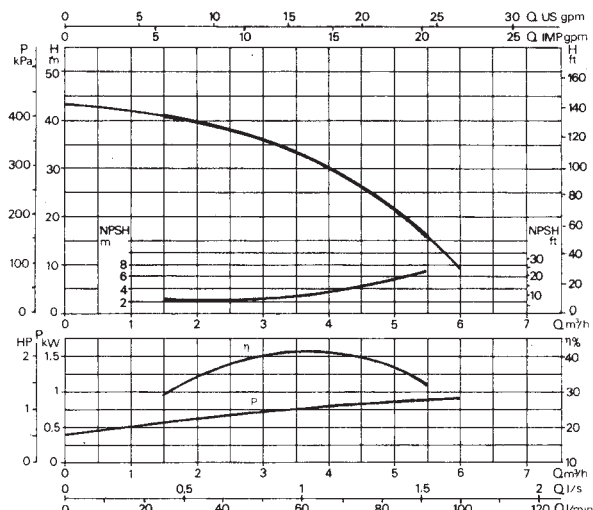
| MODEL        | Q=   |      |      |      |      |      |      |      |      |      |      |      |     |      |      |     |  |
|--------------|------|------|------|------|------|------|------|------|------|------|------|------|-----|------|------|-----|--|
|              | 0    | 1.2  | 1.8  | 2.4  | 3.6  | 4.8  | 6    | 7.2  | 9    | 9.6  | 10.8 | 12   | 15  | 18   | 24   | 30  |  |
|              | Q=   |      |      |      |      |      |      |      |      |      |      |      |     |      |      |     |  |
|              | 0    | 20   | 30   | 40   | 60   | 80   | 100  | 120  | 150  | 160  | 180  | 200  | 250 | 300  | 400  | 500 |  |
| K 35/40 M-T  | 43.5 | 41.5 | 40   | 38   | 33   | 23.5 |      |      |      |      |      |      |     |      |      |     |  |
| K 45/50 M-T  | 51   | 49   | 47.5 | 46   | 42   | 37   | 30   |      |      |      |      |      |     |      |      |     |  |
| K 55/50 M-T  | 62   | 60   | 58   | 57   | 52   | 45   | 34   |      |      |      |      |      |     |      |      |     |  |
| K 35/100 M-T | 38.5 |      |      | 37.5 | 36.5 | 35   | 32   | 28.5 | 18.5 | 17.5 |      |      |     |      |      |     |  |
| K 40/100 M-T | 44   |      |      | 43.4 | 42.5 | 41   | 39   | 35.7 | 29   | 26   | 18.5 |      |     |      |      |     |  |
| K 55/100 T   | 62   |      |      | 59.5 | 57   | 54.5 | 51   | 47   | 39   | 36   |      |      |     |      |      |     |  |
| K 66/100 T   | 73   |      |      | 70   | 67.5 | 64   | 60.5 | 57   | 49   | 47   |      |      |     |      |      |     |  |
| K 90/100 T   | 83.5 |      |      | 82   | 79.5 | 76.5 | 72.5 | 68   | 61   | 58   |      |      |     |      |      |     |  |
| K 70/300 T   | 76   |      |      |      |      |      | 74   | 73   | 72   | 71.5 | 70   | 69   | 65  | 60.5 | 43.5 |     |  |
| K 80/300 T   | 95   |      |      |      |      |      | 93   | 92.2 | 91   | 90.5 | 90   | 89.5 | 87  | 82   | 68   |     |  |
| K 70/400 T   | 86   |      |      |      |      |      |      |      | 84   | 83.2 | 82.5 | 82   | 79  | 76   | 65   | 47  |  |
| K 80/400 T   | 97   |      |      |      |      |      |      |      |      | 95   | 94.5 | 94   | 92  | 89   | 80   | 64  |  |

## K 35/40 - TWIN-IMPELLER CENTRIFUGAL ELECTRIC PUMPS FOR WATER SUPPLY IN DOMESTIC, CIVIL, AND INDUSTRIAL ENVIRONMENTS

Pumped liquid temperature range: from -10 °C to +50°C - Maximum ambient temperature: +40°C



The performance curves are based on kinematic viscosity values = 1 mm<sup>2</sup>/s and density equal to 1000 kg/m<sup>3</sup>. Curve tolerance according to ISO 9906.

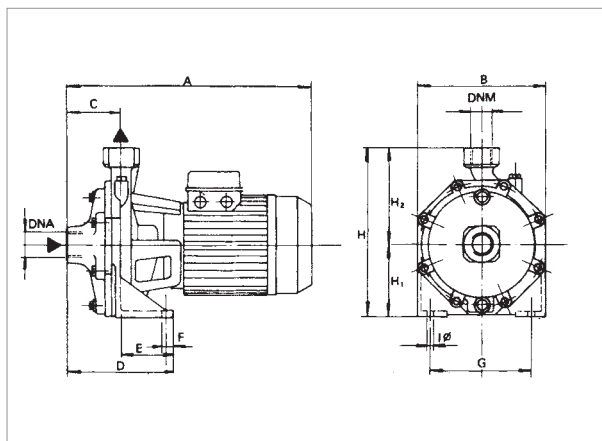


| MODEL     | ELECTRICAL DATA      |              |            |    |         |               |            |                  |           |     |
|-----------|----------------------|--------------|------------|----|---------|---------------|------------|------------------|-----------|-----|
|           | POWER INPUT<br>50 Hz | P1<br>MAX kW | P2 NOMINAL |    | In<br>A | MOTOR<br>TYPE | I st.<br>A | rpm<br>n. 1/min. | CAPACITOR |     |
|           |                      |              | kW         | HP |         |               |            |                  | µF        | Vc  |
| K 35/40 M | 1x220-240 V ~        | 1.2          | 0.75       | 1  | 5.5     | -             | 18.5       | 2800             | 20        | 450 |
| K 35/40 T | 3x230-400 V ~        | 1.2          | 0.75       | 1  | 3.8-2.2 | IE2           | 22.14-12.8 | 2850             | -         | -   |

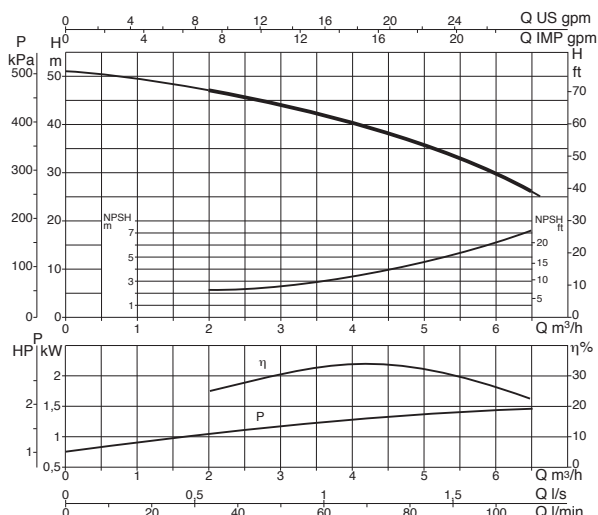
| MODEL   | A   | B   | C  | D   | E  | F  | G   | Ø1  | H   | H1  | H2  | DNA  | DNM  | PACKING DIMENSIONS |     |     | VOLUME<br>(m <sup>3</sup> ) | WEIGHT<br>kg |
|---------|-----|-----|----|-----|----|----|-----|-----|-----|-----|-----|------|------|--------------------|-----|-----|-----------------------------|--------------|
|         |     |     |    |     |    |    |     |     |     |     |     |      |      | L/A                | L/B | H   |                             |              |
| K 35/40 | 342 | 180 | 76 | 148 | 72 | 15 | 148 | 9.5 | 235 | 100 | 135 | 1" G | 1" G | 392                | 232 | 262 | 0.024                       | 15.9         |

## K 45/50 - TWIN-IMPELLER CENTRIFUGAL ELECTRIC PUMPS FOR WATER SUPPLY IN DOMESTIC, CIVIL, AND INDUSTRIAL ENVIRONMENTS

Pumped liquid temperature range: from -10 °C to +50°C - Maximum ambient temperature: +40°C



The performance curves are based on kinematic viscosity values = 1 mm<sup>2</sup>/s and density equal to 1000 kg/m<sup>3</sup>. Curve tolerance according to ISO 9906.

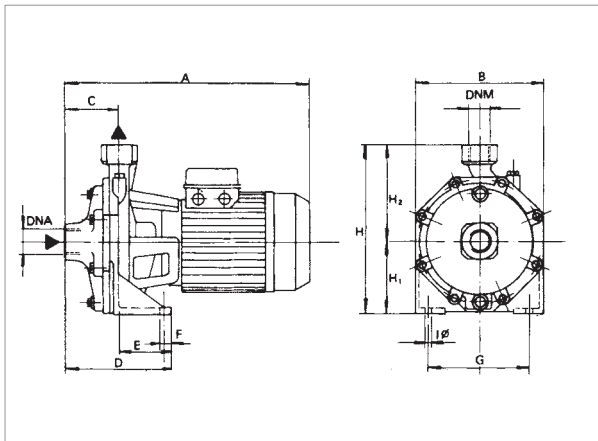


| MODEL     | ELECTRICAL DATA      |              |            |     |         |               |            |                  |           |     |
|-----------|----------------------|--------------|------------|-----|---------|---------------|------------|------------------|-----------|-----|
|           | POWER INPUT<br>50 Hz | P1<br>MAX kW | P2 NOMINAL |     | In<br>A | MOTOR<br>TYPE | I st.<br>A | rpm<br>n. 1/min. | CAPACITOR |     |
|           |                      |              | kW         | HP  |         |               |            |                  | µF        | Vc  |
| K 45/50 M | 1x220-240 V ~        | 1.86         | 1.1        | 1.5 | 8.3     | -             | 29.2       | 2800             | 31.5      | 450 |
| K 45/50 T | 3x230-400 V ~        | 1.96         | 1.1        | 1.5 | 7.2-4   | IE2           | 31.1-18    | 2850             | -         | -   |

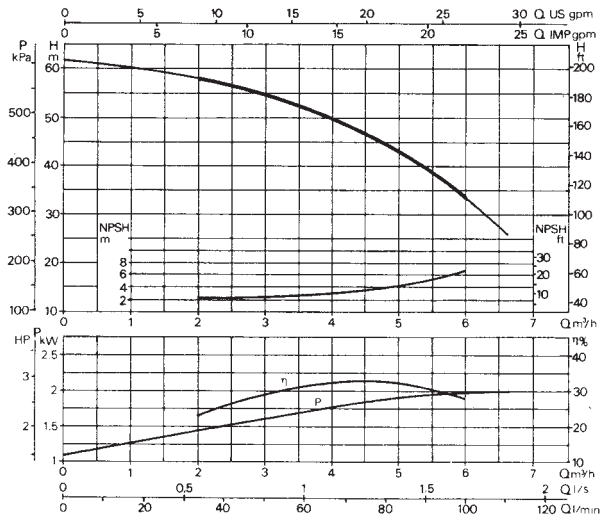
| MODEL   | A   | B   | C  | D   | E  | F  | G   | Ø1   | H   | H1  | H2  | DNA      | DNM  | PACKING DIMENSIONS |     |     | VOLUME<br>(m <sup>3</sup> ) | WEIGHT<br>kg |
|---------|-----|-----|----|-----|----|----|-----|------|-----|-----|-----|----------|------|--------------------|-----|-----|-----------------------------|--------------|
|         |     |     |    |     |    |    |     |      |     |     |     |          |      | L/A                | L/B | H   |                             |              |
| K 45/50 | 370 | 210 | 75 | 144 | 69 | 15 | 165 | 11.5 | 268 | 118 | 150 | 1 1/4" G | 1" G | 415                | 234 | 295 | 0.028                       | 23.3         |

# K 55/50 - TWIN-IMPELLER CENTRIFUGAL ELECTRIC PUMPS FOR WATER SUPPLY IN DOMESTIC, CIVIL, AND INDUSTRIAL ENVIRONMENTS

Pumped liquid temperature range: from -15 °C to +110 °C - Maximum ambient temperature: +40°C



The performance curves are based on kinematic viscosity values = 1 mm<sup>2</sup>/s and density equal to 1000 kg/m<sup>3</sup>. Curve tolerance according to ISO 9906.

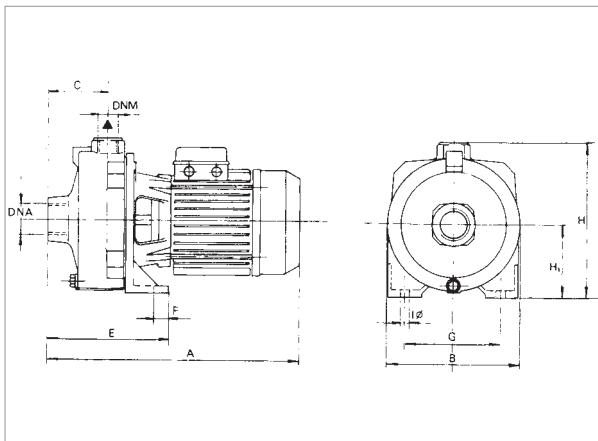


| MODEL     | POWER INPUT<br>50 Hz | P1<br>MAX kW | P2 NOMINAL |     | In<br>A | MOTOR<br>TYPE | I st.<br>A | rpm<br>n. 1/min. | CAPACITOR |     |
|-----------|----------------------|--------------|------------|-----|---------|---------------|------------|------------------|-----------|-----|
|           |                      |              | kW         | HP  |         |               |            |                  | μF        | Vc  |
| K 55/50 M | 1x220-240 V ~        | 2.7          | 1.85       | 2.5 | 12.8    | -             | 48         | 2850             | 40        | 450 |
| K 55/50 T | 3x230-400 V ~        | 2.5          | 1.85       | 2.5 | 8.4-4.8 | IE2           | 37.6-21.7  | 2850             | -         | -   |

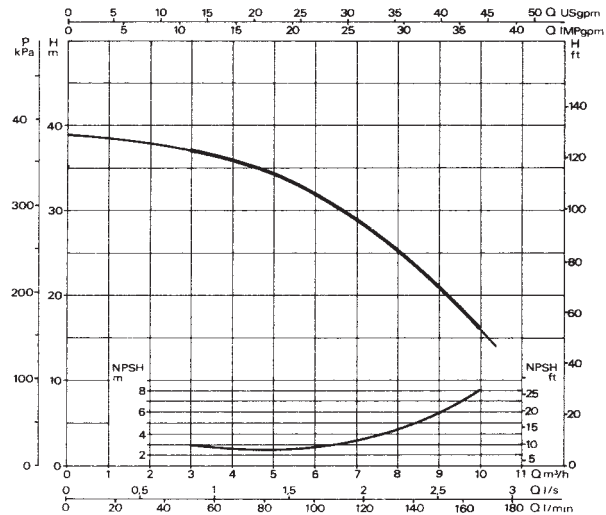
| MODEL   | A   | B   | C  | D   | E  | F  | G   | ØI   | H   | H1  | H2  | DNA      | DNM  | PACKING DIMENSIONS |     |     | VOLUME<br>(m <sup>3</sup> ) | WEIGHT<br>kg |
|---------|-----|-----|----|-----|----|----|-----|------|-----|-----|-----|----------|------|--------------------|-----|-----|-----------------------------|--------------|
|         |     |     |    |     |    |    |     |      |     |     |     |          |      | L/A                | L/B | H   |                             |              |
| K 55/50 | 370 | 210 | 75 | 144 | 69 | 15 | 165 | 11.5 | 268 | 118 | 150 | 1 1/4" G | 1" G | 415                | 234 | 295 | 0.032                       | 27.2         |

# K 35/100 - TWIN-IMPELLER CENTRIFUGAL ELECTRIC PUMPS FOR WATER SUPPLY IN DOMESTIC, CIVIL, AND INDUSTRIAL ENVIRONMENTS

Pumped liquid temperature range: from -10 °C to +50°C - Maximum ambient temperature: +40°C



The performance curves are based on kinematic viscosity values = 1 mm<sup>2</sup>/s and density equal to 1000 kg/m<sup>3</sup>. Curve tolerance according to ISO 9906.

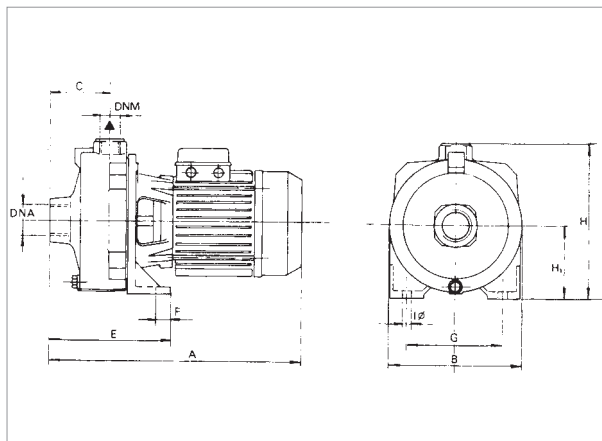


| MODEL      | POWER INPUT<br>50 Hz | P1<br>MAX kW | P2 NOMINAL |     | In<br>A | MOTOR<br>TYPE | I st.<br>A | rpm<br>n. 1/min. | CAPACITOR |     |
|------------|----------------------|--------------|------------|-----|---------|---------------|------------|------------------|-----------|-----|
|            |                      |              | kW         | HP  |         |               |            |                  | μF        | Vc  |
| K 35/100 M | 1x220-240 V ~        | 1.56         | 1.1        | 1.5 | 7.1     | -             | 33         | 2780             | 25        | 450 |
| K 35/100 T | 3x230-400 V ~        | 1.65         | 1.1        | 1.5 | 6.5-3.5 | IE2           | 21         | 2850             | -         | -   |

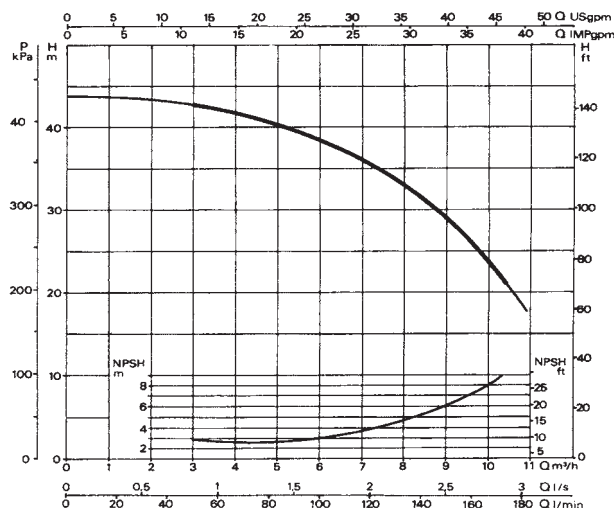
| MODEL    | A   | B   | C  | E   | F  | G   | ØI | H   | H1  | DNA      | DNM  | PACKING DIMENSIONS |     |     | VOLUME<br>(m <sup>3</sup> ) | WEIGHT<br>kg |
|----------|-----|-----|----|-----|----|-----|----|-----|-----|----------|------|--------------------|-----|-----|-----------------------------|--------------|
|          |     |     |    |     |    |     |    |     |     |          |      | L/A                | L/B | H   |                             |              |
| K 35/100 | 387 | 205 | 88 | 169 | 20 | 145 | 11 | 233 | 108 | 1 1/2" G | 1" G | 415                | 234 | 295 | 0.028                       | 22           |

## K 40/100 - TWIN-IMPELLER CENTRIFUGAL ELECTRIC PUMPS FOR WATER SUPPLY IN DOMESTIC, CIVIL, AND INDUSTRIAL ENVIRONMENTS

Pumped liquid temperature range: from -10°C to 50°C - Maximum ambient temperature: +40°C



The performance curves are based on kinematic viscosity values = 1 mm<sup>2</sup>/s and density equal to 1000 kg/m<sup>3</sup>. Curve tolerance according to ISO 9906.

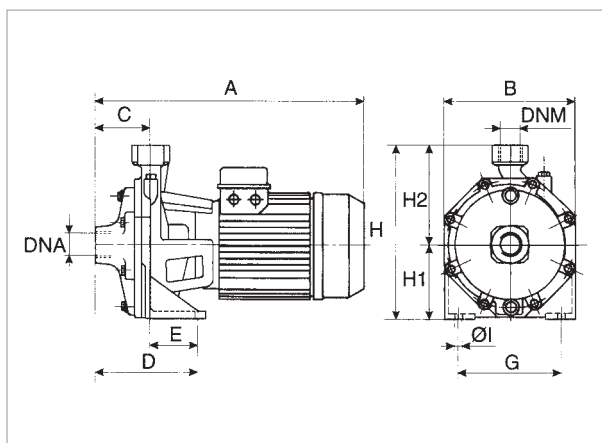


| MODEL      | POWER INPUT<br>50 Hz | P1<br>MAX kW | P2 NOMINAL |     | In<br>A | MOTOR<br>TYPE | I st.<br>A | rpm<br>n. 1/min. | CAPACITOR |     |
|------------|----------------------|--------------|------------|-----|---------|---------------|------------|------------------|-----------|-----|
|            |                      |              | kW         | HP  |         |               |            |                  | µF        | Vc  |
| K 40/100 M | 1x220-240 V ~        | 2            | 1.85       | 2.5 | 9       | -             | 45         | 2850             | 40        | 450 |
| K 40/100 T | 3x230-400 V ~        | 2            | 1.85       | 2.5 | 7-4     | IE2           | 22         | 2850             | -         | -   |

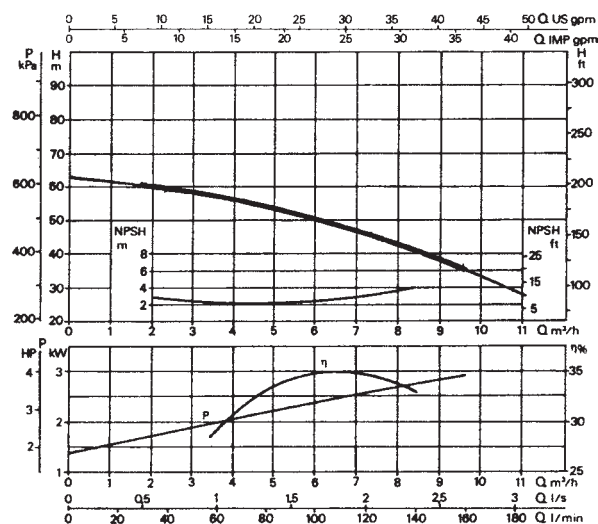
| MODEL      | A   | B   | C  | D   | E  | F  | G   | ØI | H   | H1  | DNa      | DNM  | PACKING DIMENSIONS |     |     | VOLUME<br>(m <sup>3</sup> ) | WEIGHT<br>kg |
|------------|-----|-----|----|-----|----|----|-----|----|-----|-----|----------|------|--------------------|-----|-----|-----------------------------|--------------|
|            |     |     |    |     |    |    |     |    |     |     |          |      | L/A                | L/B | H   |                             |              |
| K 40/100 M | 461 | 205 | 88 | 179 | 20 | 20 | 145 | 11 | 233 | 108 | 1 1/2" G | 1" G | 510                | 234 | 285 | 0.034                       | 25.9         |
| K 40/100 T | 387 | 205 | 88 | 179 | 20 | 20 | 145 | 11 | 233 | 108 | 1 1/2" G | 1" G | 415                | 234 | 295 | 0.028                       | 22           |

## K 55/100 - TWIN-IMPELLER CENTRIFUGAL ELECTRIC PUMPS FOR WATER SUPPLY IN DOMESTIC, CIVIL, AND INDUSTRIAL ENVIRONMENTS

Pumped liquid temperature range: from -10 °C to +50°C - Maximum ambient temperature: +40°C



The performance curves are based on kinematic viscosity values = 1 mm<sup>2</sup>/s and density equal to 1000 kg/m<sup>3</sup>. Curve tolerance according to ISO 9906.

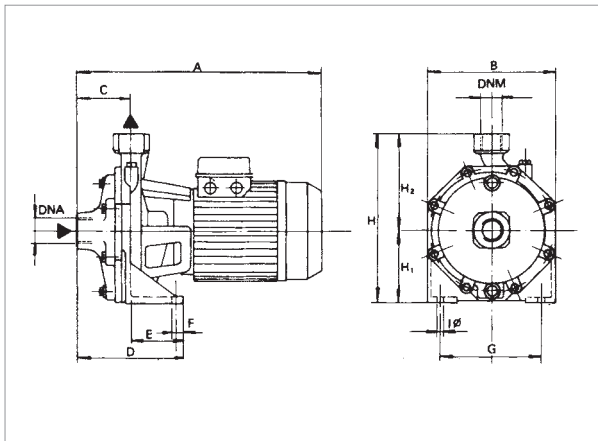


| MODEL      | POWER INPUT<br>50 Hz | P1<br>MAX kW | P2 NOMINAL |    | In<br>A  | MOTOR<br>TYPE | I st.<br>A | rpm<br>n. 1/min. |
|------------|----------------------|--------------|------------|----|----------|---------------|------------|------------------|
|            |                      |              | kW         | HP |          |               |            |                  |
| K 55/100 T | 3x230-400 V ~        | 3.9          | 2.2        | 3  | 11.6-6.7 | IE2           | 67.5-39    | 2850             |

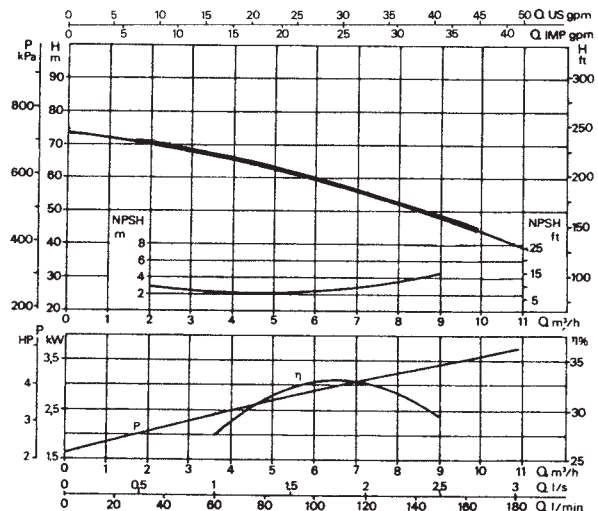
| MODEL    | A   | B   | C  | D   | E  | F  | G   | ØI | H     | H1  | H2    | DNa      | DNM  | PACKING DIMENSIONS |     |     | VOLUME<br>(m <sup>3</sup> ) | WEIGHT<br>kg |
|----------|-----|-----|----|-----|----|----|-----|----|-------|-----|-------|----------|------|--------------------|-----|-----|-----------------------------|--------------|
|          |     |     |    |     |    |    |     |    |       |     |       |          |      | L/A                | L/B | H   |                             |              |
| K 55/100 | 450 | 256 | 88 | 160 | 72 | 18 | 200 | 14 | 312.5 | 140 | 172.5 | 1 1/2" G | 1" G | 500                | 274 | 333 | 0.045                       | 38.1         |

# K 66/100 - TWIN-IMPELLER CENTRIFUGAL ELECTRIC PUMPS FOR WATER SUPPLY IN DOMESTIC, CIVIL, AND INDUSTRIAL ENVIRONMENTS

Pumped liquid temperature range: from -15 °C to +110 °C - Maximum ambient temperature: +40°C



The performance curves are based on kinematic viscosity values = 1 mm<sup>2</sup>/s and density equal to 1000 kg/m<sup>3</sup>. Curve tolerance according to ISO 9906.

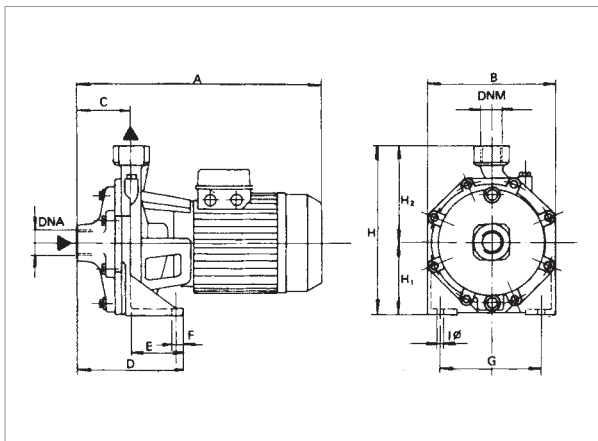


| MODEL      | POWER INPUT<br>50 Hz | P1<br>MAX kW | P2 NOMINAL |    | In<br>A  | MOTOR<br>TYPE | I st.<br>A | rpm<br>n. 1/min. |
|------------|----------------------|--------------|------------|----|----------|---------------|------------|------------------|
|            |                      |              | kW         | HP |          |               |            |                  |
|            |                      |              |            |    |          |               |            |                  |
| K 66/100 T | 3x230-400 V ~        | 4.7          | 3          | 4  | 14.6-8.4 | IE2           | 103.8-60   | 2900             |

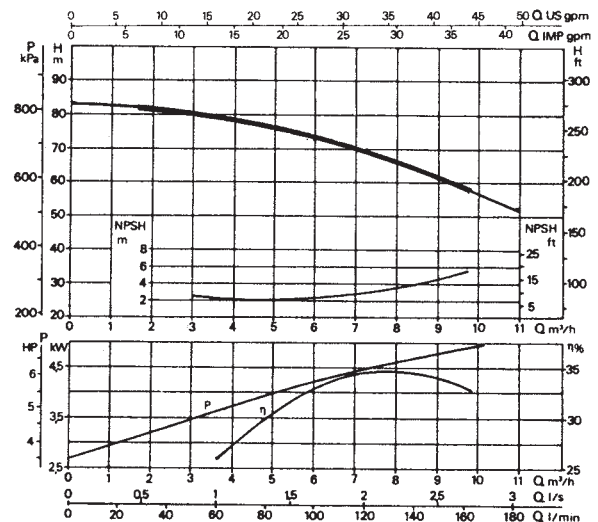
| MODEL    | A   | B   | C  | D   | E  | F  | G   | ØI | H     | H1  | H2    | DNA      | DNM  | PACKING DIMENSIONS |     |     | VOLUME<br>(m <sup>3</sup> ) | WEIGHT<br>kg |
|----------|-----|-----|----|-----|----|----|-----|----|-------|-----|-------|----------|------|--------------------|-----|-----|-----------------------------|--------------|
|          |     |     |    |     |    |    |     |    |       |     |       |          |      | L/A                | L/B | H   |                             |              |
| K 66/100 | 450 | 256 | 88 | 160 | 72 | 18 | 200 | 14 | 312.5 | 140 | 172.5 | 1 1/2" G | 1" G | 500                | 274 | 333 | 0.045                       | 40.7         |

# K 90/100 - TWIN-IMPELLER CENTRIFUGAL ELECTRIC PUMPS FOR WATER SUPPLY IN DOMESTIC, CIVIL, AND INDUSTRIAL ENVIRONMENTS

Pumped liquid temperature range: from -15°C to +110°C - Maximum ambient temperature: +40°C



The performance curves are based on kinematic viscosity values = 1 mm<sup>2</sup>/s and density equal to 1000 kg/m<sup>3</sup>. Curve tolerance according to ISO 9906.

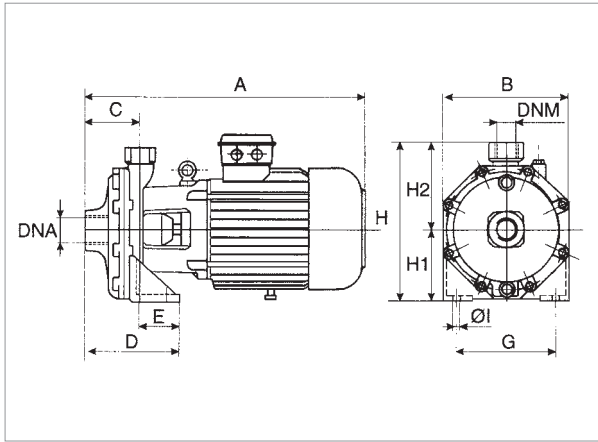


| MODEL      | POWER INPUT<br>50 Hz | P1<br>MAX kW | P2 NOMINAL |     | In<br>A  | MOTOR<br>TYPE | I st.<br>A | rpm<br>n. 1/min. |
|------------|----------------------|--------------|------------|-----|----------|---------------|------------|------------------|
|            |                      |              | kW         | HP  |          |               |            |                  |
|            |                      |              |            |     |          |               |            |                  |
| K 90/100 T | 3x230-400 V ~        | 5.4          | 4          | 5.5 | 16.5-9.5 | IE2           | 103.8-60   | 2850             |

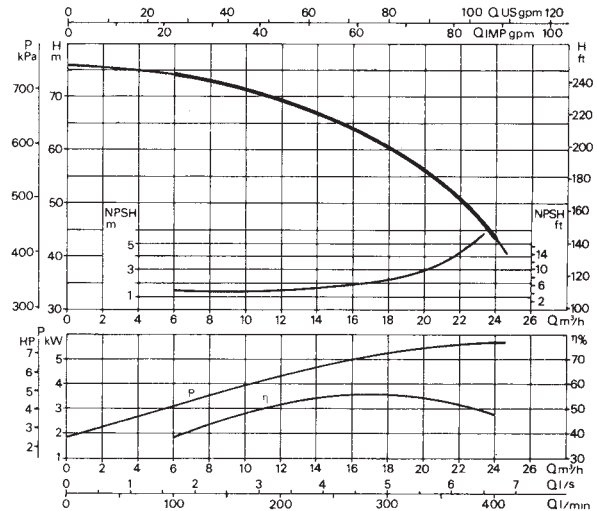
| MODEL    | A   | B   | C  | D   | E  | F  | G   | ØI | H     | H1  | H2    | DNA      | DNM  | PACKING DIMENSIONS |     |     | VOLUME<br>(m <sup>3</sup> ) | WEIGHT<br>kg |
|----------|-----|-----|----|-----|----|----|-----|----|-------|-----|-------|----------|------|--------------------|-----|-----|-----------------------------|--------------|
|          |     |     |    |     |    |    |     |    |       |     |       |          |      | L/A                | L/B | H   |                             |              |
| K 90/100 | 450 | 256 | 88 | 160 | 72 | 18 | 200 | 14 | 312.5 | 140 | 172.5 | 1 1/2" G | 1" G | 500                | 274 | 333 | 0.045                       | 44           |

## K 70/300 - TWIN-IMPELLER CENTRIFUGAL ELECTRIC PUMPS FOR WATER SUPPLY IN DOMESTIC, CIVIL, AND INDUSTRIAL ENVIRONMENTS

Pumped liquid temperature range: from -15 °C to +110 °C - Maximum ambient temperature: +40°C



The performance curves are based on kinematic viscosity values = 1 mm<sup>2</sup>/s and density equal to 1000 kg/m<sup>3</sup>. Curve tolerance according to ISO 9906.



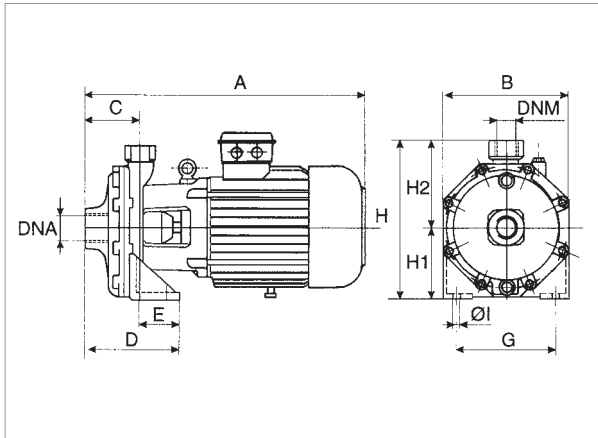
| MODEL      | POWER INPUT<br>50 Hz | P1<br>MAX kW | P2 NOMINAL |     | In<br>A | MOTOR<br>TYPE | I st.<br>A | rpm<br>n. 1/min. |
|------------|----------------------|--------------|------------|-----|---------|---------------|------------|------------------|
|            |                      |              | kW         | HP  |         |               |            |                  |
|            |                      |              |            |     |         |               |            |                  |
| K 70/300 T | 3 x 230-400 V ~ 1    | 7.1          | 5.5        | 7.5 | 12.9    | IE2           | 77.9       | 2900             |

| MODEL    | A   | B   | C   | D   | E  | F  | G   | ØI | H   | H1  | H2  | DNA  | DNM      | PACKING DIMENSIONS |     |     | VOLUME<br>(m <sup>3</sup> ) | WEIGHT<br>kg |
|----------|-----|-----|-----|-----|----|----|-----|----|-----|-----|-----|------|----------|--------------------|-----|-----|-----------------------------|--------------|
|          |     |     |     |     |    |    |     |    |     |     |     |      |          | L/A                | L/B | H   |                             |              |
| K 70/300 | 595 | 270 | 122 | 182 | 60 | 20 | 210 | 14 | 340 | 160 | 180 | 2" G | 1 1/4" G | 680                | 330 | 470 | 0.106                       | 72           |

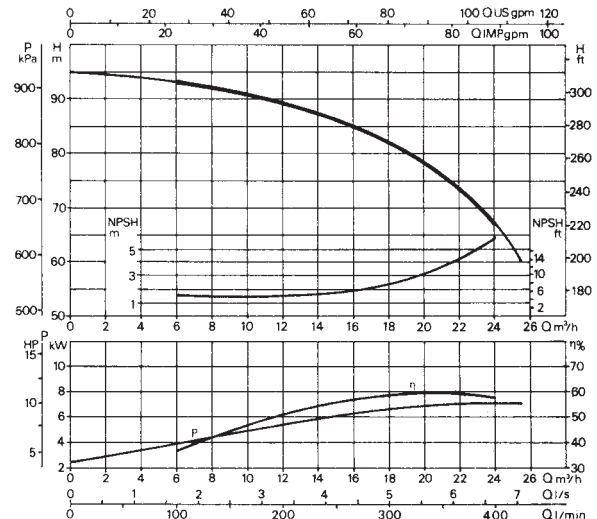
<sup>1</sup> star start-up possible (A)

## K 80/300 - TWIN-IMPELLER CENTRIFUGAL ELECTRIC PUMPS FOR WATER SUPPLY IN DOMESTIC, CIVIL, AND INDUSTRIAL ENVIRONMENTS

Pumped liquid temperature range: from -15 °C to +110 °C - Maximum ambient temperature: +40°C



The performance curves are based on kinematic viscosity values = 1 mm<sup>2</sup>/s and density equal to 1000 kg/m<sup>3</sup>. Curve tolerance according to ISO 9906.



| MODEL      | POWER INPUT<br>50 Hz | P1<br>MAX kW | P2 NOMINAL |    | In<br>A | MOTOR<br>TYPE | I st.<br>A | rpm<br>n. 1/min. |
|------------|----------------------|--------------|------------|----|---------|---------------|------------|------------------|
|            |                      |              | kW         | HP |         |               |            |                  |
|            |                      |              |            |    |         |               |            |                  |
| K 80/300 T | 3 x 230-400 V ~ 1    | 9.10         | 7.5        | 10 | 15.20   | IE3           | 112        | 2910             |

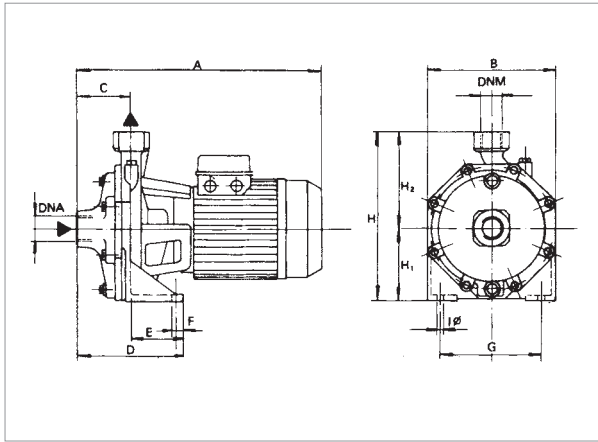
| MODEL    | A   | B   | C   | D   | E  | F  | G   | ØI | H   | H1  | H2  | DNA  | DNM      | PACKING DIMENSIONS |     |     | VOLUME<br>(m <sup>3</sup> ) | WEIGHT<br>kg |
|----------|-----|-----|-----|-----|----|----|-----|----|-----|-----|-----|------|----------|--------------------|-----|-----|-----------------------------|--------------|
|          |     |     |     |     |    |    |     |    |     |     |     |      |          | L/A                | L/B | H   |                             |              |
| K 80/300 | 595 | 270 | 122 | 182 | 60 | 20 | 210 | 14 | 340 | 160 | 180 | 2" G | 1 1/4" G | 680                | 330 | 470 | 0.106                       | 78.5         |

<sup>1</sup> star start-up possible (A)

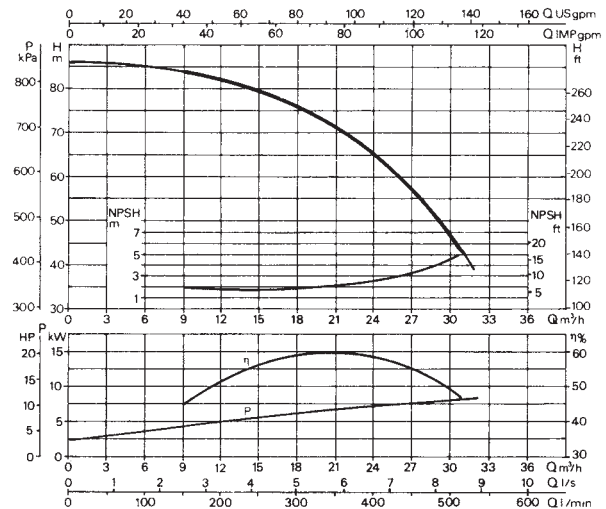


# K 70/400 - TWIN-IMPELLER CENTRIFUGAL ELECTRIC PUMPS FOR WATER SUPPLY IN DOMESTIC, CIVIL, AND INDUSTRIAL ENVIRONMENTS

Pumped liquid temperature range: from -15 °C to +110 °C - Maximum ambient temperature: +40°C



The performance curves are based on kinematic viscosity values = 1 mm<sup>2</sup>/s and density equal to 1000 kg/m<sup>3</sup>. Curve tolerance according to ISO 9906.



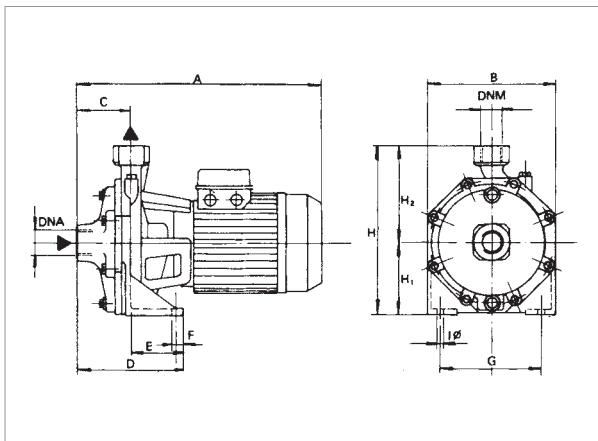
| MODEL             | ELECTRICAL DATA      |              |            |      |                     |               |                       |                  |
|-------------------|----------------------|--------------|------------|------|---------------------|---------------|-----------------------|------------------|
|                   | POWER INPUT<br>50 Hz | P1<br>MAX kW | P2 NOMINAL |      | I <sub>n</sub><br>A | MOTOR<br>TYPE | I <sub>st.</sub><br>A | rpm<br>n. 1/min. |
|                   |                      |              | kW         | HP   |                     |               |                       |                  |
| <b>K 70/400 T</b> | 3 x 230-400 V ~ 1    | 9.20         | 9.2        | 12.5 | 15.50               | IE3           | 135                   | 2930             |

| MODEL           | A   | B   | C   | D   | E  | F  | G   | ØI | H   | H1  | H2  | DNA  | DNM      | PACKING DIMENSIONS |     |     | VOLUME<br>(m <sup>3</sup> ) | WEIGHT<br>kg |
|-----------------|-----|-----|-----|-----|----|----|-----|----|-----|-----|-----|------|----------|--------------------|-----|-----|-----------------------------|--------------|
|                 |     |     |     |     |    |    |     |    |     |     |     |      |          | L/A                | L/B | H   |                             |              |
| <b>K 70/400</b> | 635 | 270 | 122 | 182 | 60 | 20 | 210 | 14 | 340 | 160 | 180 | 2" G | 1 1/4" G | 680                | 330 | 470 | 0.106                       | 74           |

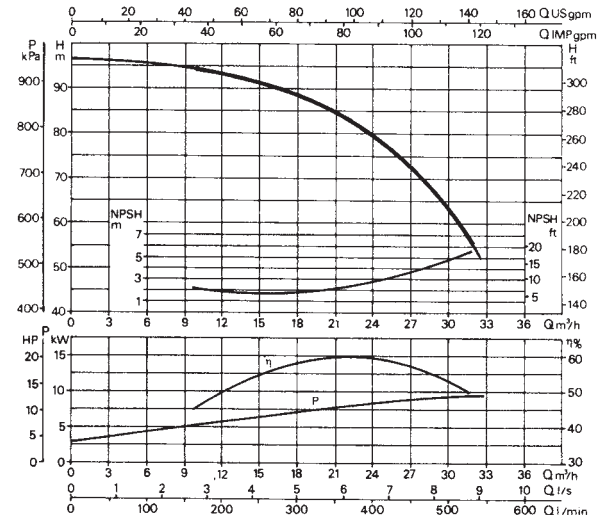
<sup>1</sup> star start-up possible (A)

# K 80/400 - TWIN-IMPELLER CENTRIFUGAL ELECTRIC PUMPS FOR WATER SUPPLY IN DOMESTIC, CIVIL, AND INDUSTRIAL ENVIRONMENTS

Pumped liquid temperature range: from -15°C to +110°C - Maximum ambient temperature: +40°C



The performance curves are based on kinematic viscosity values = 1 mm<sup>2</sup>/s and density equal to 1000 kg/m<sup>3</sup>. Curve tolerance according to ISO 9906.



| MODEL             | ELECTRICAL DATA      |              |            |    |                     |               |                       |                  |
|-------------------|----------------------|--------------|------------|----|---------------------|---------------|-----------------------|------------------|
|                   | POWER INPUT<br>50 Hz | P1<br>MAX kW | P2 NOMINAL |    | I <sub>n</sub><br>A | MOTOR<br>TYPE | I <sub>st.</sub><br>A | rpm<br>n. 1/min. |
|                   |                      |              | kW         | HP |                     |               |                       |                  |
| <b>K 80/400 T</b> | 3 x 230-400 V ~ 1    | 10.80        | 11         | 15 | 18.50               | IE3           | 193                   | 2940             |

| MODEL           | A   | B   | C   | D   | E  | F  | G   | ØI | H   | H1  | H2  | DNA  | DNM      | PACKING DIMENSIONS |     |     | VOLUME<br>(m <sup>3</sup> ) | WEIGHT<br>kg |
|-----------------|-----|-----|-----|-----|----|----|-----|----|-----|-----|-----|------|----------|--------------------|-----|-----|-----------------------------|--------------|
|                 |     |     |     |     |    |    |     |    |     |     |     |      |          | L/A                | L/B | H   |                             |              |
| <b>K 80/400</b> | 635 | 270 | 122 | 182 | 60 | 20 | 210 | 14 | 340 | 160 | 180 | 2" G | 1 1/4" G | 680                | 330 | 470 | 0.106                       | 78           |

<sup>1</sup> star start-up possible (A)